

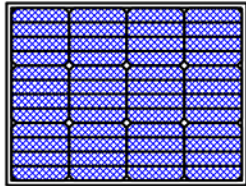


CUSTOMER GENERATION – LOAD SIDE CONNECTION WITH GENERATION METER

HARRIMAN UTILITY BOARD

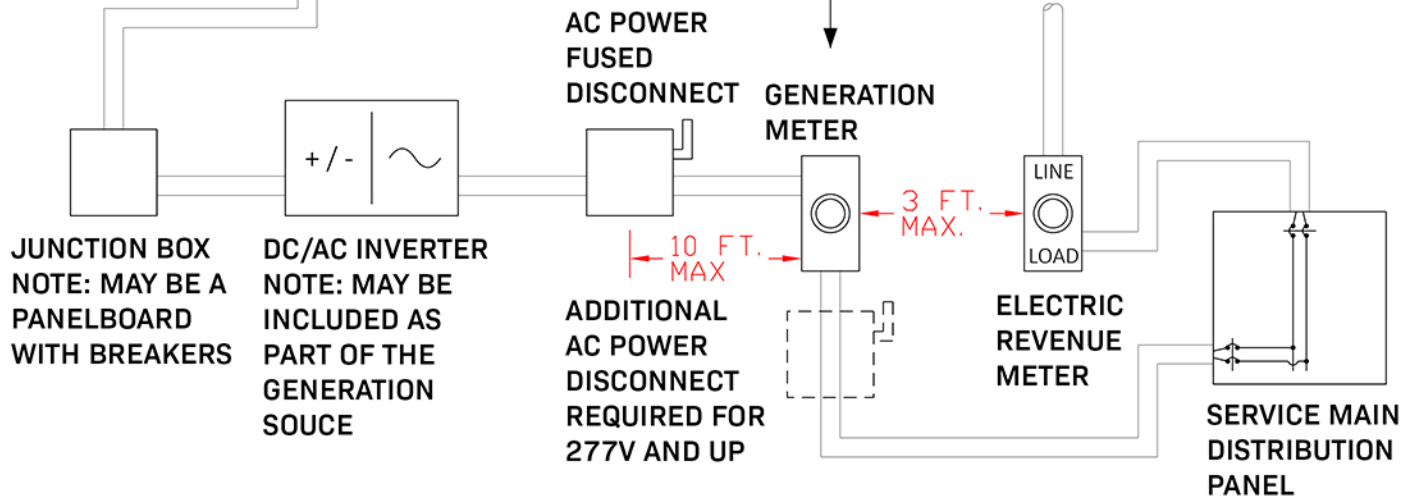
(865) 882-3242

GENERATION SOURCE



CAUTION:
BOTTOM TERMINALS OF GENERATION METER BASE MAY BE ENERGIZED FROM HUB'S ELECTRICAL GRID

TO HUB TRANSFORMER AND ELECTRIC GRID AS DIRECTED BY HUB



Drawing Notes:

1. AC Power Fused Disconnect - Disconnect handle shall be lockable in the open position and accessible to HUB personnel. Disconnect shall be fused or otherwise configured to protect the generation circuit. The fused side of the disconnect should be connected to the DC/AC Inverter. Disconnect must be within ten (10) feet of the meter base for the Generation Meter. Disconnect may be installed further from meter base when necessary but only with HUB's prior approval.
2. Additional AC Power 277V Disconnect - Locate as near to the Generation Meter as practical. Consult HUB's meter representative for approved location. Connect the supply terminals to the wiring that connects to HUB's grid. Disconnect enclosure shall be lockable by HUB.
3. DC/AC Inverter - Inverter shall meet the requirements of UL 1741. It does not produce and send power to the HUB grid when the grid is down, and shall be reset no less than ten (10) minutes after the grid is restored.
4. Meters - All meter bases shall be furnished and installed by the customer's electrician. HUB will furnish and install all meters. Connect AC Power Fused Disconnect to the top lugs of the Generation Meter. Whenever the three (3) foot maximum spacing between meters is impractical, HUB's representative will specify an alternative location for the Generation Meter. HUB does not allow LB condulets to be installed on the line side of the HUB revenue meter.
5. Generation System - The cost and installation of entire system shall be the responsibility of the customer. The entire system installation shall meet all requirements of the NEC, including article 690, and shall be inspected by the appropriate electrical inspector. State electrical inspectors may be reached at (865) 988-0728 and (865) 988-0738, Monday through Wednesday plus Friday between 8:00-9:00 am.



Know what's below.
Call before you dig.

All Electrical Equipment
Shown at Approximate Locations

HUB Electric Service Guidelines
Residential and Small Commercial

6/3/2020

Sheet 1 of 1